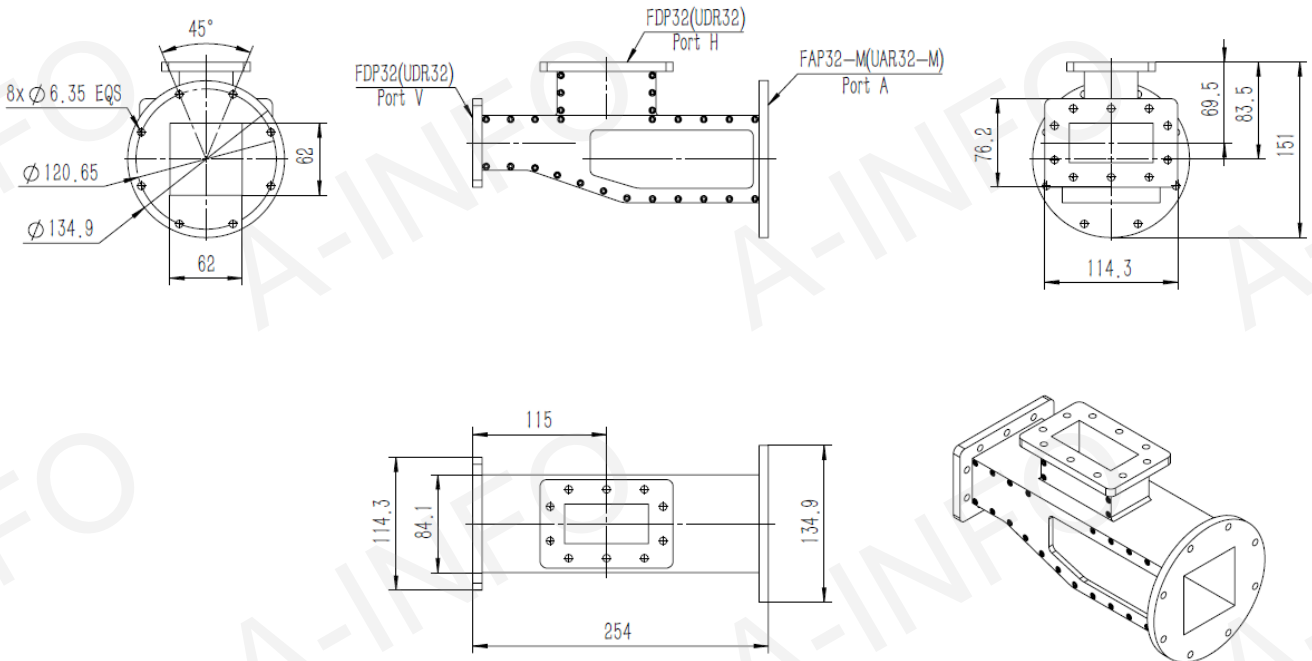


## Technical Specification

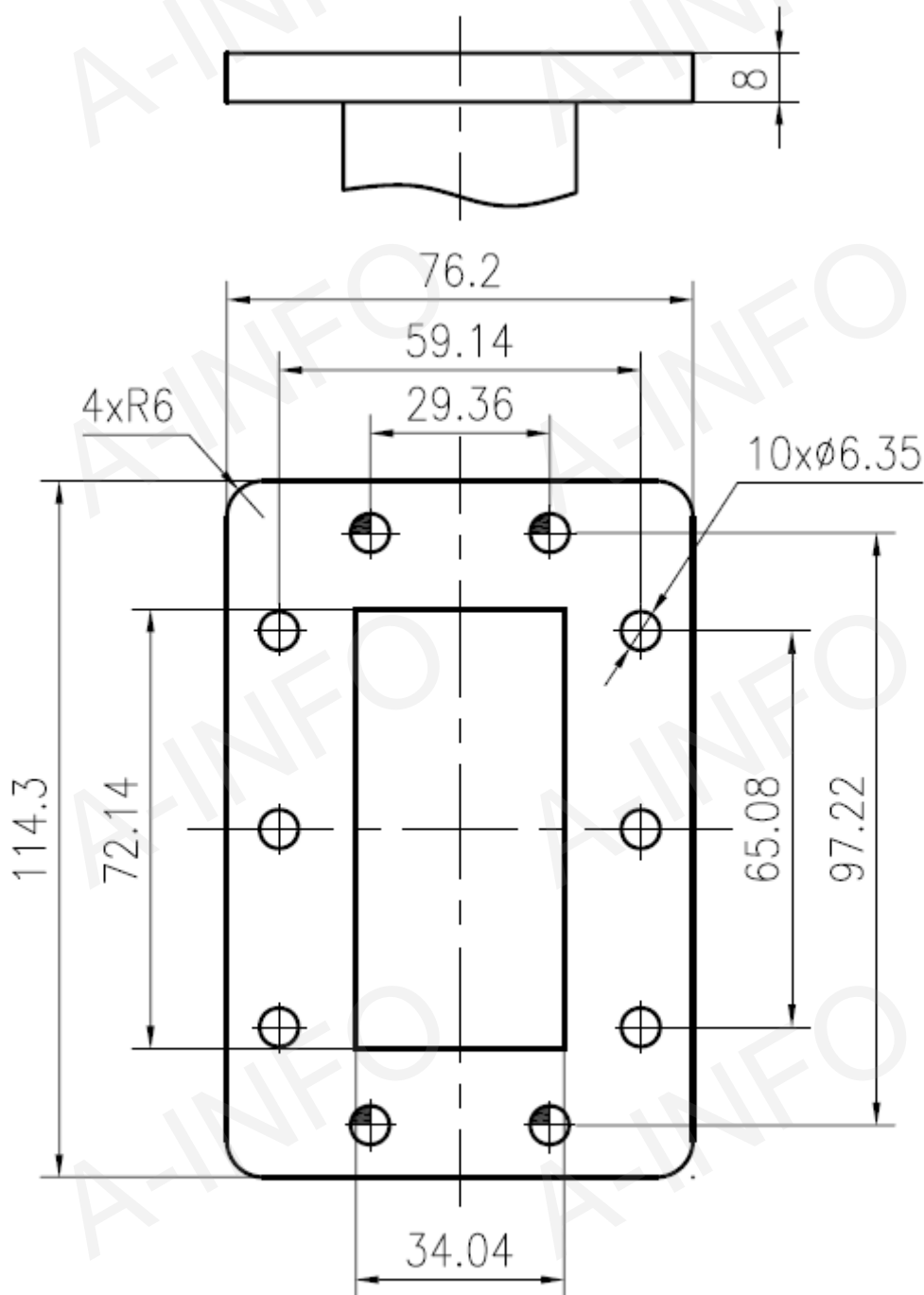


EIA WR	WR284
Frequency Range(GHz)	2.6-3.4
Bandwidth	Full
Common Port	62mm Square WG
VSWR	1.5:1 Typ.
Port to Port Isolation(dB)	30 Min.
Common Port Flange	FAP32-M(UAR32-M)
Flange	FDP32(UDR32)
Material	Al
Size(mm)	254 x 134.9 x 151
N.W.(Kg)	1.85 Around

## Outline Drawing (Size: mm)



## Flange Drawing (Size: mm)



## FDP32

AINFO Inc.

Page 2 of 5

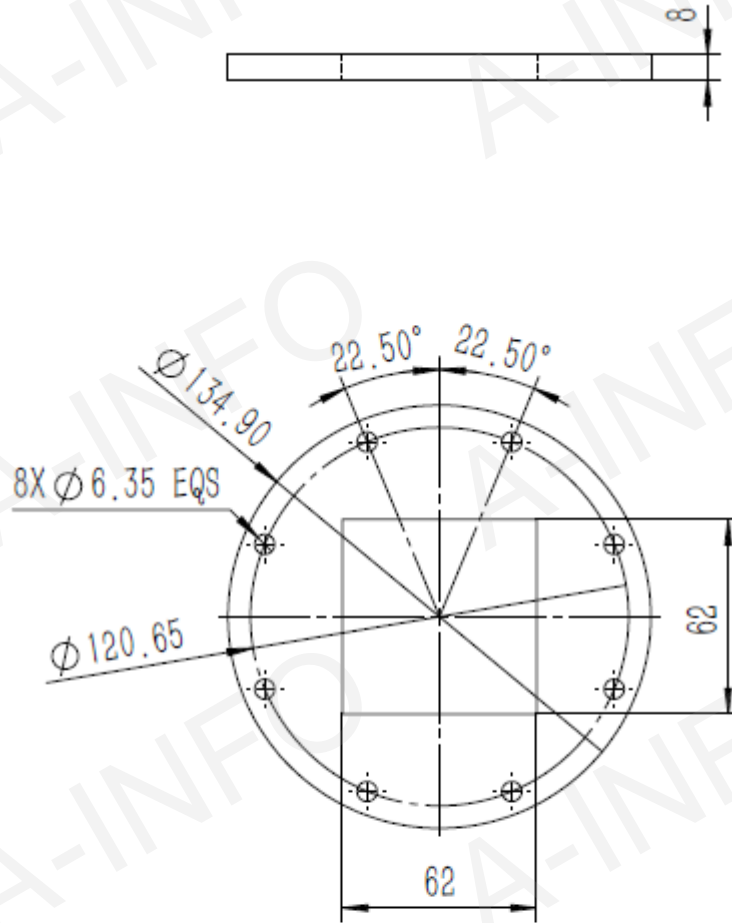
China(Beijing):  
China(Chengdu):  
USA :

Tel: (+86) 10-6266-7326,  
Tel: (+86) 28-8519-2786,  
Tel: (+1) 949-639-9688,

(+86) 10-6266-7327  
(+86) 28-8519-3044  
(+1) 949-639-9608

Fax: (+86) 10-6266-7379  
Fax: (+86) 28-8519-3068  
Fax: (+1) 949-639-9670

Website: [www.ainfoinc.com](http://www.ainfoinc.com)  
Email: [sales@ainfoinc.com](mailto:sales@ainfoinc.com)



FAP32-M

AINFO Inc.

Page 3 of 5

China(Beijing):  
China(Chengdu):  
USA :

Tel: (+86) 10-6266-7326,  
Tel: (+86) 28-8519-2786,  
Tel: (+1) 949-639-9688,

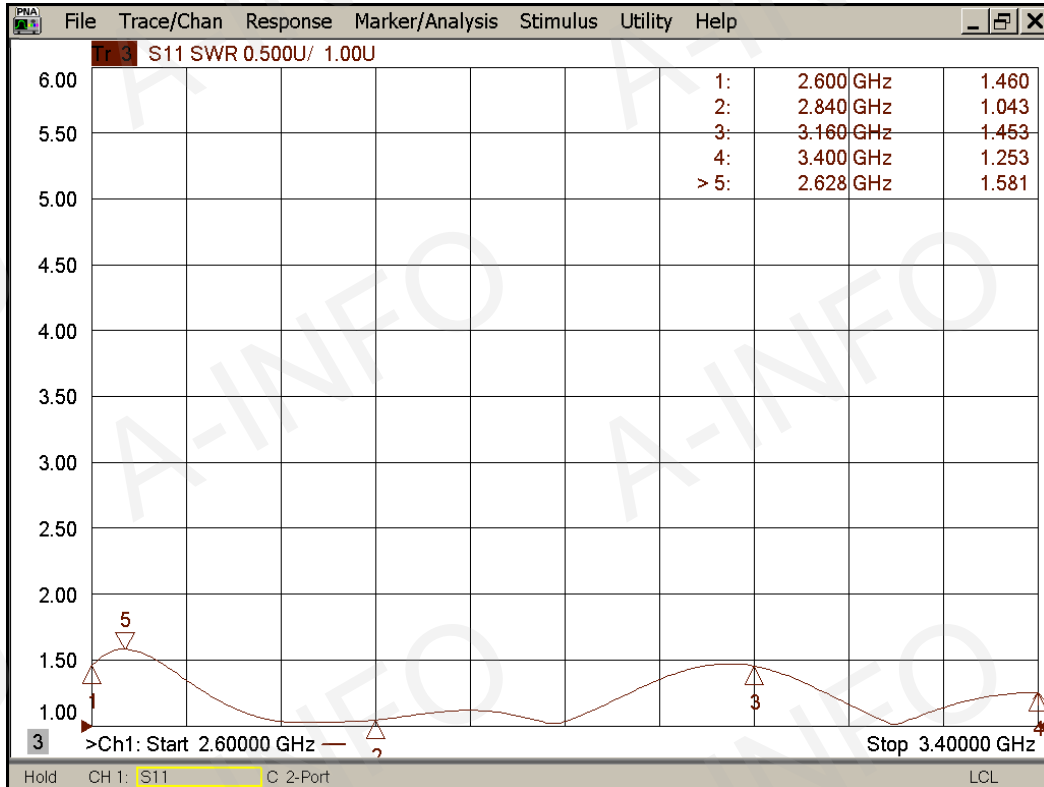
(+86) 10-6266-7327  
(+86) 28-8519-3044  
(+1) 949-639-9608

Fax: (+86) 10-6266-7379  
Fax: (+86) 28-8519-3068  
Fax: (+1) 949-639-9670

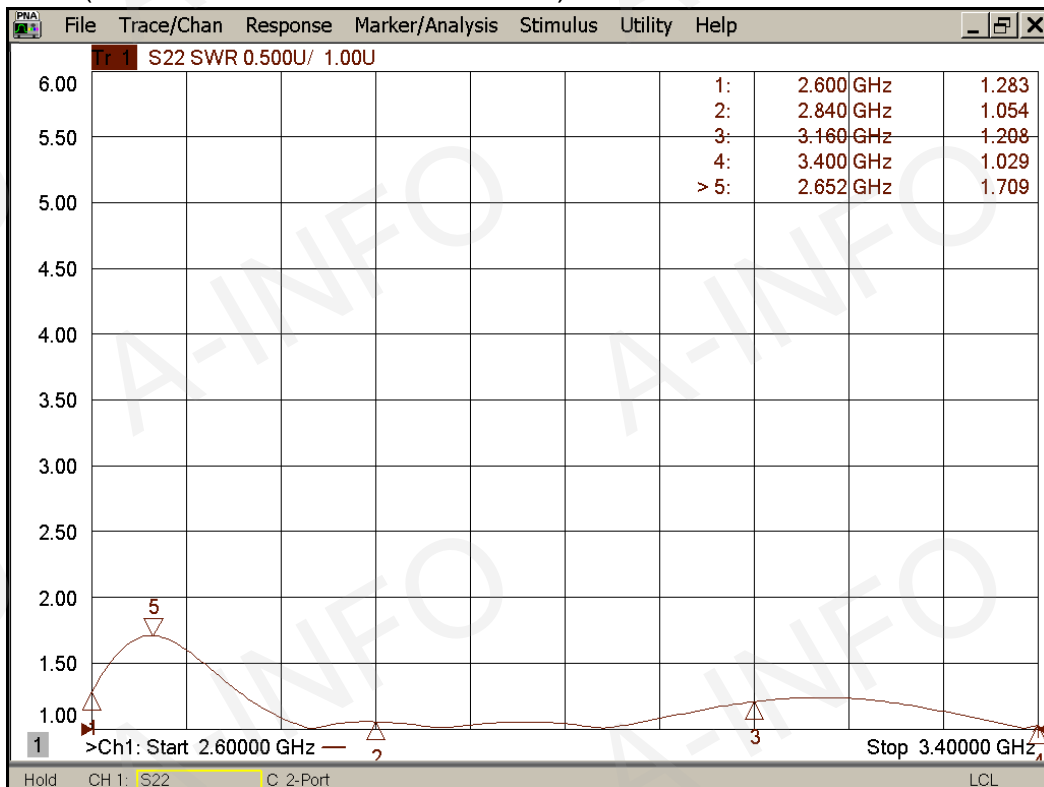
Website: [www.ainfoinc.com](http://www.ainfoinc.com)  
Email: [sales@ainfoinc.com](mailto:sales@ainfoinc.com)

## Test Results

Port H\_VSWR (Test with two OMTs back to back)



Port V\_VSWR (Test with two OMTs back to back)



## Port to Port Isolation

